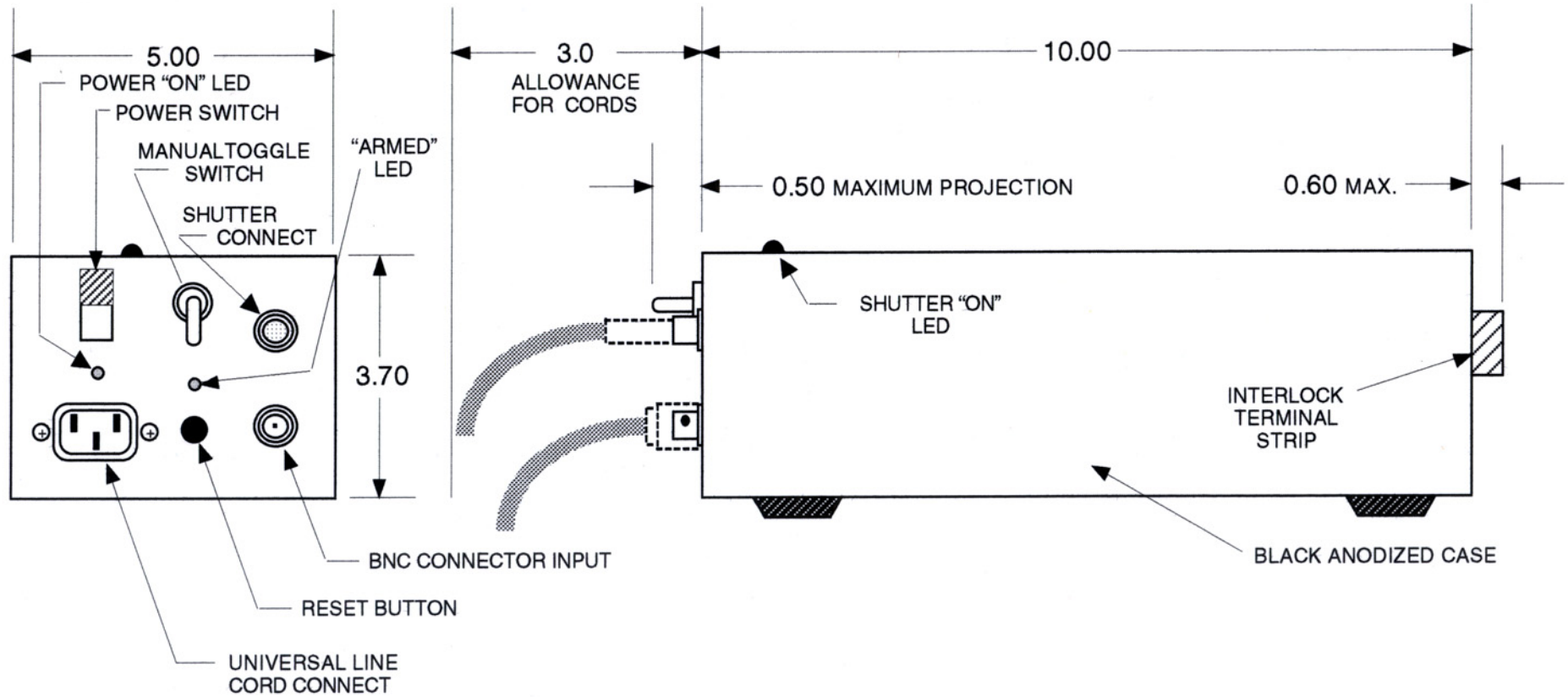


Model CX2450

Safety Interlock Controller

(Dimension Drawing)
Rev. B 3/2000



NOTE: ALL DIMENSIONS IN INCHES

WEIGHT = 3 lbs.