

8

7

6

5

4

3

2

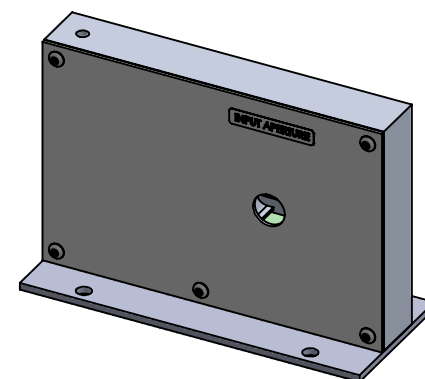
1

**NOTES (UNLESS OTHERWISE SPECIFIED):**

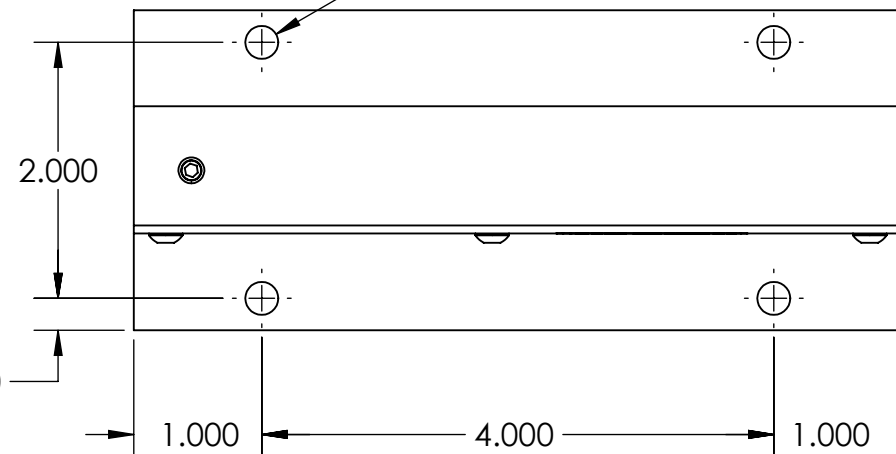
- 1. ALL COMPONENTS AND MATERIALS OF THIS ASSEMBLY OR PART MUST BE CERTIFIABLY ROHS COMPLIANT.
- 2. 3D DATA BASE SHALL BE USED IN CORRELATION WITH THIS DRAWING FOR FEATURES NOT DIMENSIONED ON FACE OF THIS DRAWING.
  - 1. 3D MODEL (STEP) FILE AVAILABLE UPON REQUEST

REVISIONS				
ECO#	REV.	DESCRIPTION	DATE	APPROVED
	A	INITIAL RELEASE	12/06/2019	M.K.

ASSEMBLE PER NM LASER PROCEDURE SPECIFICATIONS



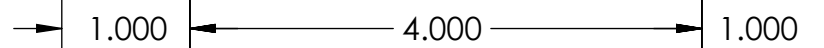
4X  $\phi$ .257 THRU MOUNTING HOLES



14 mm INPUT APERTURE  
 $\phi$ .562 DIA.

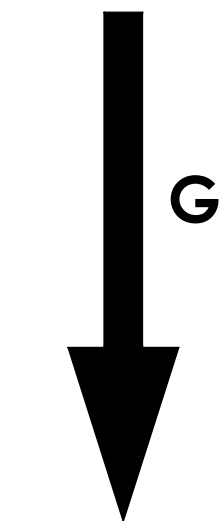
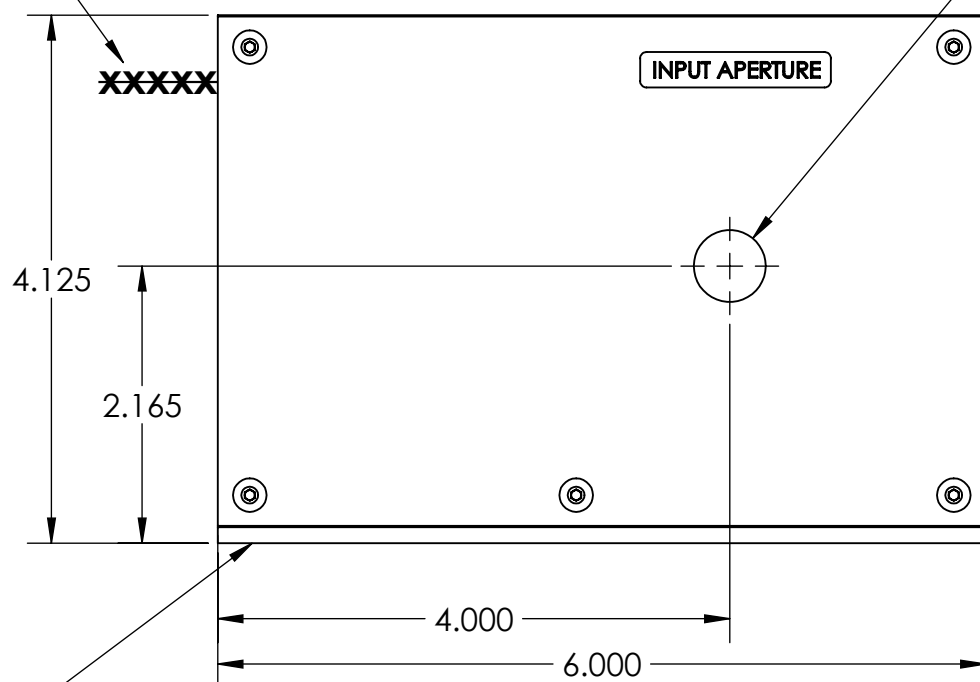
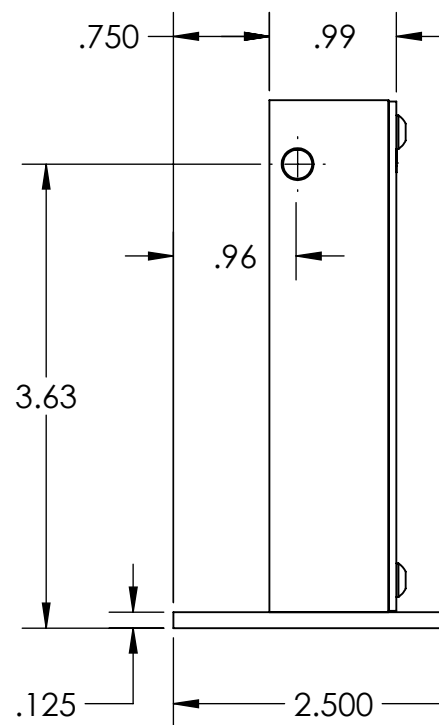
WIRE HARNESS LOCATION

.250




**NM LASER LSTXYW8 SPECIFICATIONS**

SHUTTER CLASS	SAFETY / PROCESS
APERTURE DIAMETER	14 mm
TYPICAL BEAM DIAMETER	10 mm
MAX. CW OPTICAL POWER	300 W WITH CHILLER PLATE
THERMAL POWER DISSIPATION	6 W HOLD OPEN, 15 W @ 3 Hz
MINIMUM HOLD VOLTAGE	10 VDC
MAX. SHUTTER REP RATE	3 Hz
SWITCHING SPEED	40 ms + 10 ms COMMAND DELAY
NOMINAL COIL IMPEDANCE	8 Ohms
POSITION SENSORS	MICROSWITCH, 2
WIRE HARNESS	6 LEAD, 22 AWG, PVC JACKET, 6 FT
CONNECTOR	FLYING LEADS, OR ANY 6-PIN



MOUNT WITH GRAVITY ORIENTATION ONLY

	NAME	DATE
DRAWN	B.L.	12/02/19
CHECKED	M.K.	12/06/19
ENG APPR.		
MFG APPR.		
Q.A.		



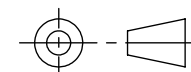
TITLE:  
**SHUTTER, LST4WBK, LST4WBKSTD**

SIZE	DWG. NO.	REV
<b>B</b>	<b>LSTXYW8</b>	<b>A</b>

SCALE: 2:3      SHEET 1 OF 1

DIMENSIONS ARE IN INCHES  
TOLERANCES:  
ANGULAR:  $\pm 1^\circ$   
ONE DECIMAL: X.X  $\pm .1$   
TWO DECIMAL: X.XX  $\pm .015$   
THREE DECIMAL: X.XXX  $\pm .005$

DO NOT SCALE DRAWING



8

7

6

5

4

3

2

1