

8

7

6

5

4

3

2

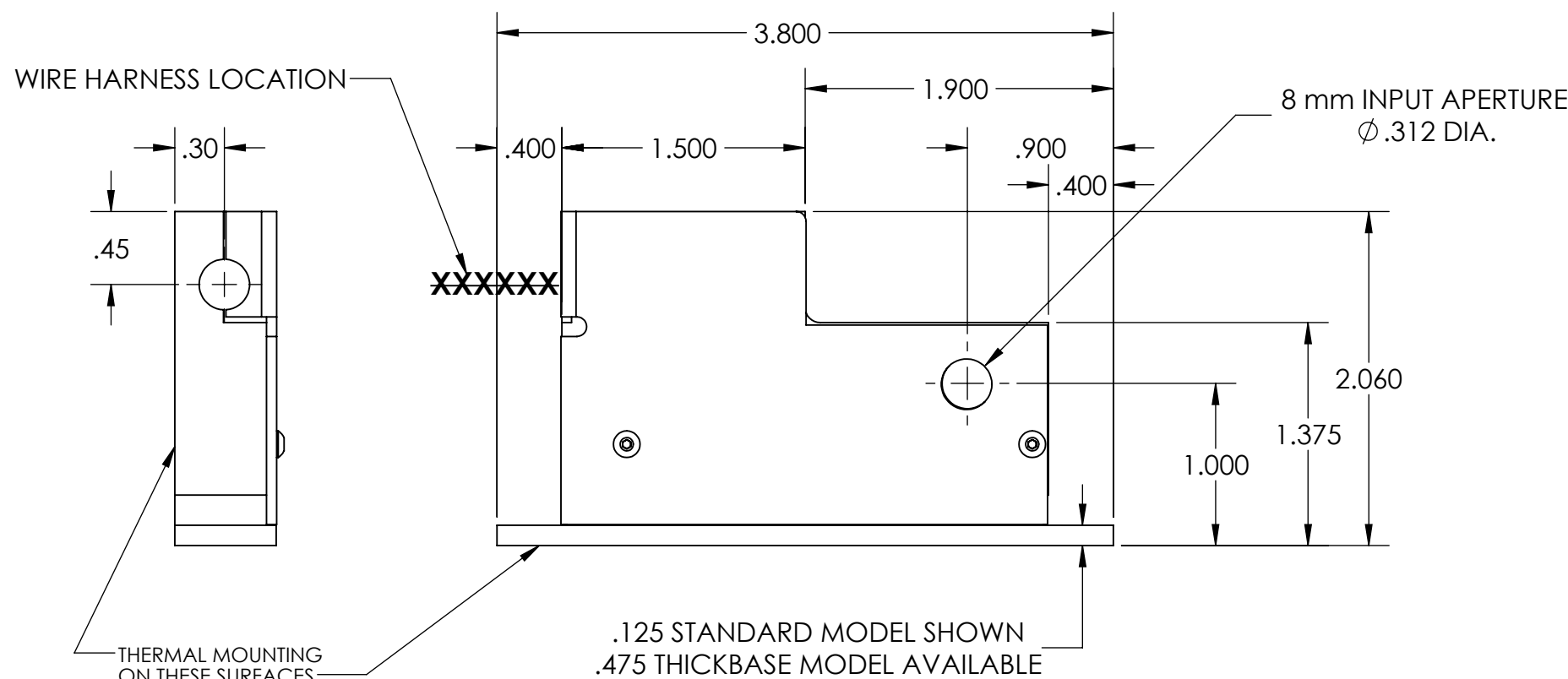
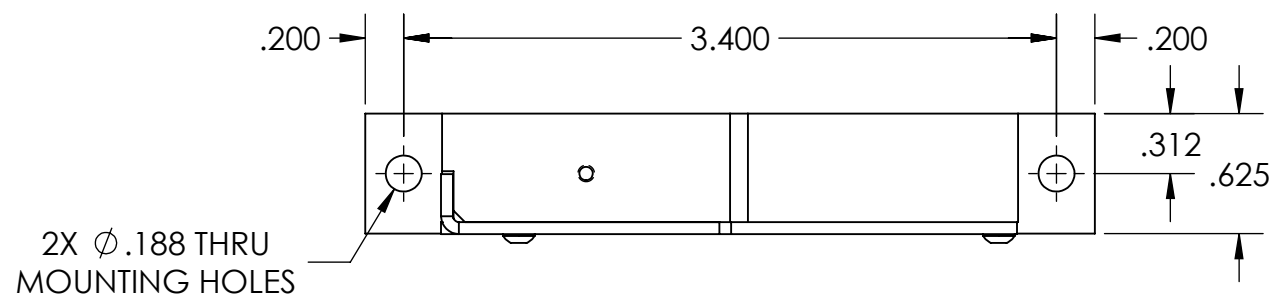
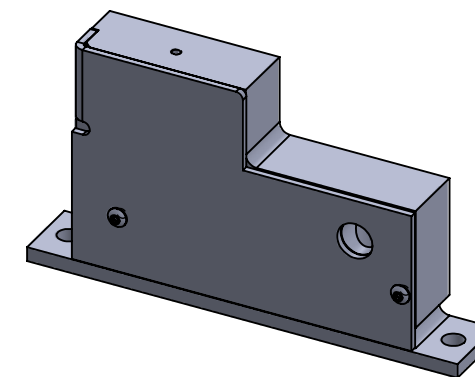
1

NOTES (UNLESS OTHERWISE SPECIFIED):

- 1. ALL COMPONENTS AND MATERIALS OF THIS ASSEMBLY OR PART MUST BE CERTIFIABLY ROHS COMPLIANT.
- 2. 3D DATA BASE SHALL BE USED IN CORRELATION WITH THIS DRAWING FOR FEATURES NOT DIMENSIONED ON FACE OF THIS DRAWING.
 - 1. 3D MODEL (STEP) FILE AVAILABLE UPON REQUEST


REVISIONS				
ECO#	REV.	DESCRIPTION	DATE	APPROVED
	A	INITIAL RELEASE	12/06/2019	M.K.

ASSEMBLE PER NM LASER PROCEDURE SPECIFICATIONS



NM LASER LST400 SPECIFICATIONS

SHUTTER CLASS	SAFETY / PROCESS
APERTURE DIAMETER	8 mm
TYPICAL BEAM DIAMETER	6 mm
MAX. CW OPTICAL POWER	50 W
THERMAL POWER DISSIPATION	4 W HOLD OPEN, 8 W @ 3 Hz
ENERGIZE	APPLY 24 V FOR 45-60 ms
HOLD OPEN	7 VDC CONTINUOUS
MINIMUM HOLD VOLTAGE	5 VDC
MAX. SHUTTER REP RATE	3 Hz
SWTCHING SPEED	20 ms + 10 ms COMMAND DELAY
NOMINAL COIL IMPEDANCE	15 Ohms
POSITION SENSORS	STANDARD, 5V TTL LOGIC
WIRE HARNESS	6 LEAD, 22 AWG
CONNECTOR	MTA-100 AMP, OR ANY 6-PIN

DIMENSIONS ARE IN INCHES TOLERANCES: ANGULAR: $\pm 1^\circ$ ONE DECIMAL: X.X $\pm .1$ TWO DECIMAL: X.XX $\pm .015$ THREE DECIMAL: X.XXX $\pm .005$	NAME	DATE	
	DRAWN	B.L. 12/02/19	
	CHECKED	M.K. 12/06/19	
	ENG APPR.		
	MFG APPR.		TITLE:
	Q.A.		SHUTTER, LST4WBK, LST4WBKSTD
	3RD ANGLE PROJECTION		SIZE DWG. NO. REV
			B LST400 A
			SCALE: 1:1 SHEET 2 OF 2

DO NOT SCALE DRAWING



PROPRIETARY AND CONFIDENTIAL
 THE DESIGN INFORMATION CONTAINED HEREIN IS THE SOLE PROPERTY OF NM LASER PRODUCTS, INC. THE DISCLOSURE OF THIS INFORMATION DOES NOT CONSTITUTE THE RELEASE OF THE PROPRIETARY RIGHTS THEREOF, BUT IS TO BE USED FOR INFORMATION PURPOSES ONLY WHEN NECESSARY. PERMISSION TO REPRODUCE THIS INFORMATION OF THE PRODUCT DESCRIBED HEREIN MUST BE OBTAINED IN WRITING FROM NM LASER PRODUCTS, INC.

8

7

6

5

4

3

2

1