

8

7

6

5

4

3

2

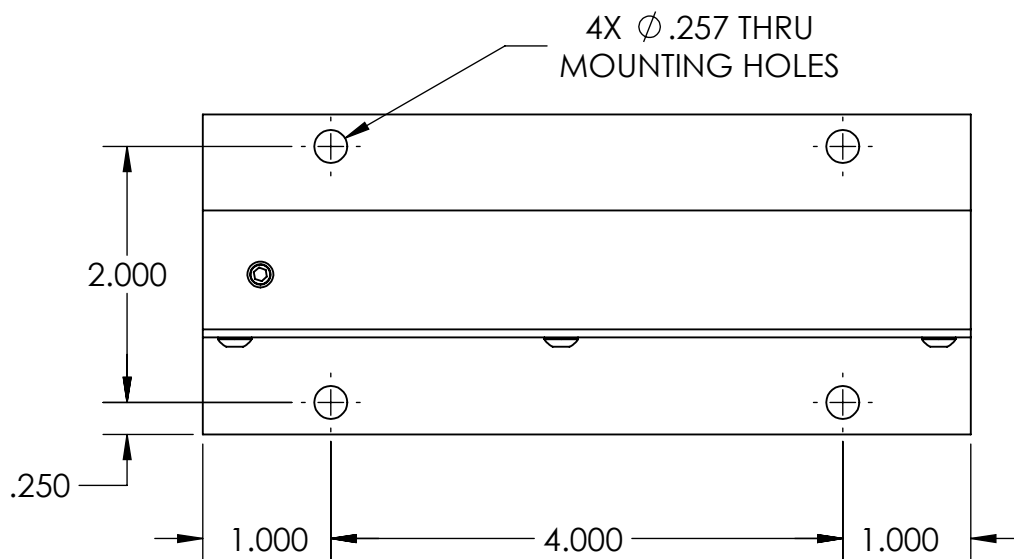
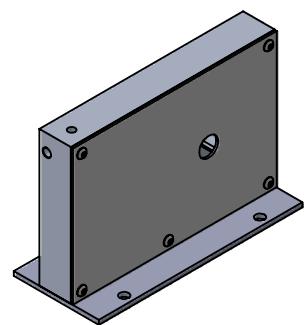
1

NOTES (UNLESS OTHERWISE SPECIFIED):

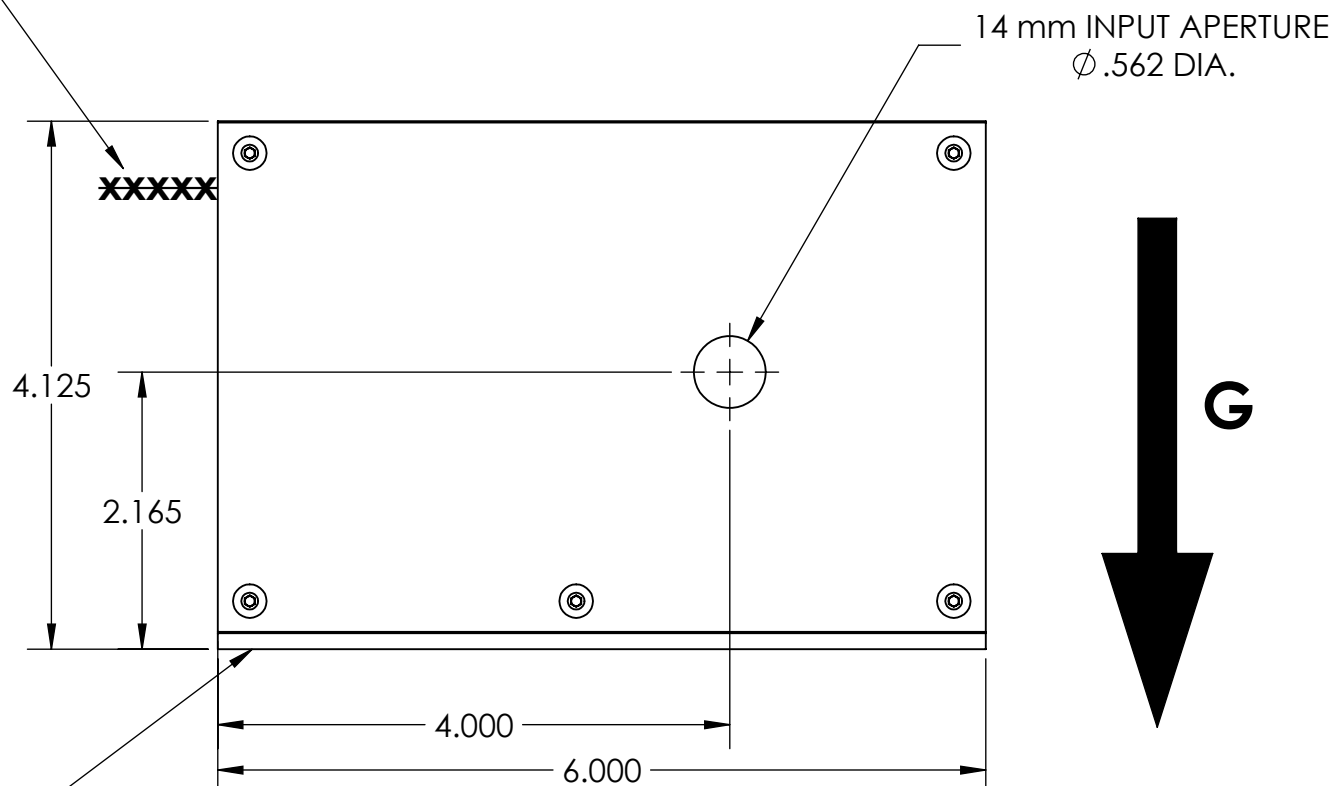
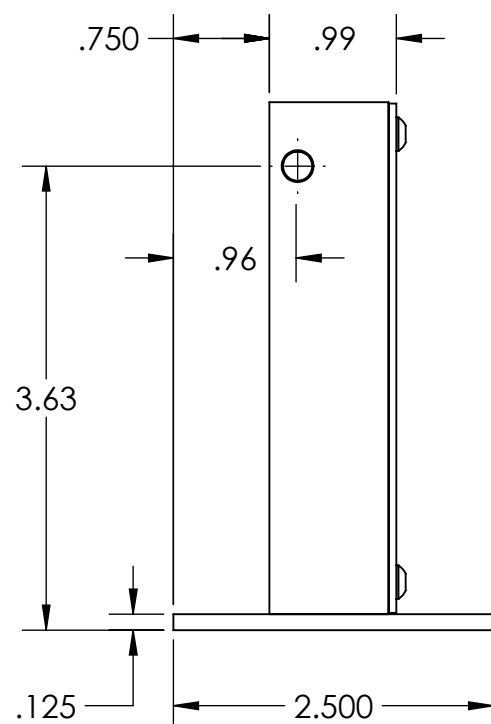
- 1. ALL COMPONENTS AND MATERIALS OF THIS ASSEMBLY OR PART MUST BE CERTIFIABLY ROHS COMPLIANT.
- 2. 3D DATA BASE SHALL BE USED IN CORRELATION WITH THIS DRAWING FOR FEATURES NOT DIMENSIONED ON FACE OF THIS DRAWING.
 - 1. 3D MODEL (STEP) FILE AVAILABLE UPON REQUEST

REVISIONS				
ECO#	REV.	DESCRIPTION	DATE	APPROVED
	A	INITIAL RELEASE	12/06/2019	M.K.
	B	UP-REV ADDED OPTICAL DATA	6/26/2020	B.L.

ASSEMBLE PER NM LASER PROCEDURE SPECIFICATIONS



WIRE HARNESS LOCATION



REMOVABLE BASE PLATE

STANDARD MOUNTING ORIENTATION. SPECIFY OTHERWISE

NM LASER LSTXYW8 SPECIFICATIONS

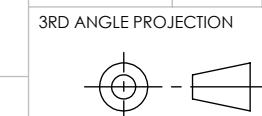
SHUTTER CLASS	SAFETY / PROCESS
APERTURE DIAMETER	14 mm
TYPICAL BEAM DIAMETER	10 mm
MAX. CW OPTICAL POWER	300 W WITH CHILLER PLATE
DIELECTRIC OPTICS	1064 nm (-1), 532 nm (-2), 355 nm (-3), 266 nm (-4), & 532/1064 nm (-12)
METAL OPTICS	CO2 (-C2), IR (-IR)
THERMAL POWER DISSIPATION	6 W HOLD OPEN, 15 W @ 3 Hz
ENERGIZE THE SHUTTER	24 V FOR 70 ms
TO HOLD SHUTTER OPEN	7 V CONTINUOUS
MINIMUM HOLD VOLTAGE	6.2 VDC
MAX. SHUTTER REP RATE	3 Hz
SWITCHING SPEED	40 ms + 10 ms COMMAND DELAY
NOMINAL COIL IMPEDANCE	8 Ohms
POSITION SENSORS	MICROSWITCH, 2
WIRE HARNESS	6 LEAD, 22 AWG, PVC JACKET, 6 FT
CONNECTOR	FLYING LEADS, OR ANY 6-PIN

	NAME	DATE
DRAWN	B.L.	12/02/19
CHECKED	M.K.	12/06/19
ENG APPR.	B.L.	12/12/19
MFG APPR.		
Q.A.		



TITLE: SHUTTER, LSTXY, LSTXYW8

DIMENSIONS ARE IN INCHES
 TOLERANCES:
 ANGULAR: ±1°
 ONE DECIMAL: X.X ±.1
 TWO DECIMAL: X.XX ±.015
 THREE DECIMAL: X.XXX ±.005



DO NOT SCALE DRAWING

SIZE DWG. NO. REV
B LSTXYW8 **B**

SCALE: 2:3

SHEET 2 OF 2

PROPRIETARY AND CONFIDENTIAL
 THE DESIGN INFORMATION CONTAINED HEREIN IS THE SOLE PROPERTY OF NM LASER PRODUCTS, INC. THE DISCLOSURE OF THIS INFORMATION DOES NOT CONSTITUTE THE RELEASE OF THE PROPRIETARY RIGHTS THEREOF, BUT IS TO BE USED FOR INFORMATION PURPOSES ONLY WHEN NECESSARY. PERMISSION TO REPRODUCE THIS INFORMATION OF THE PRODUCT DESCRIBED HEREIN MUST BE OBTAINED IN WRITING FROM NM LASER PRODUCTS, INC.

8

7

6

5

4

3

2

1