

8

7

6

5

4

3

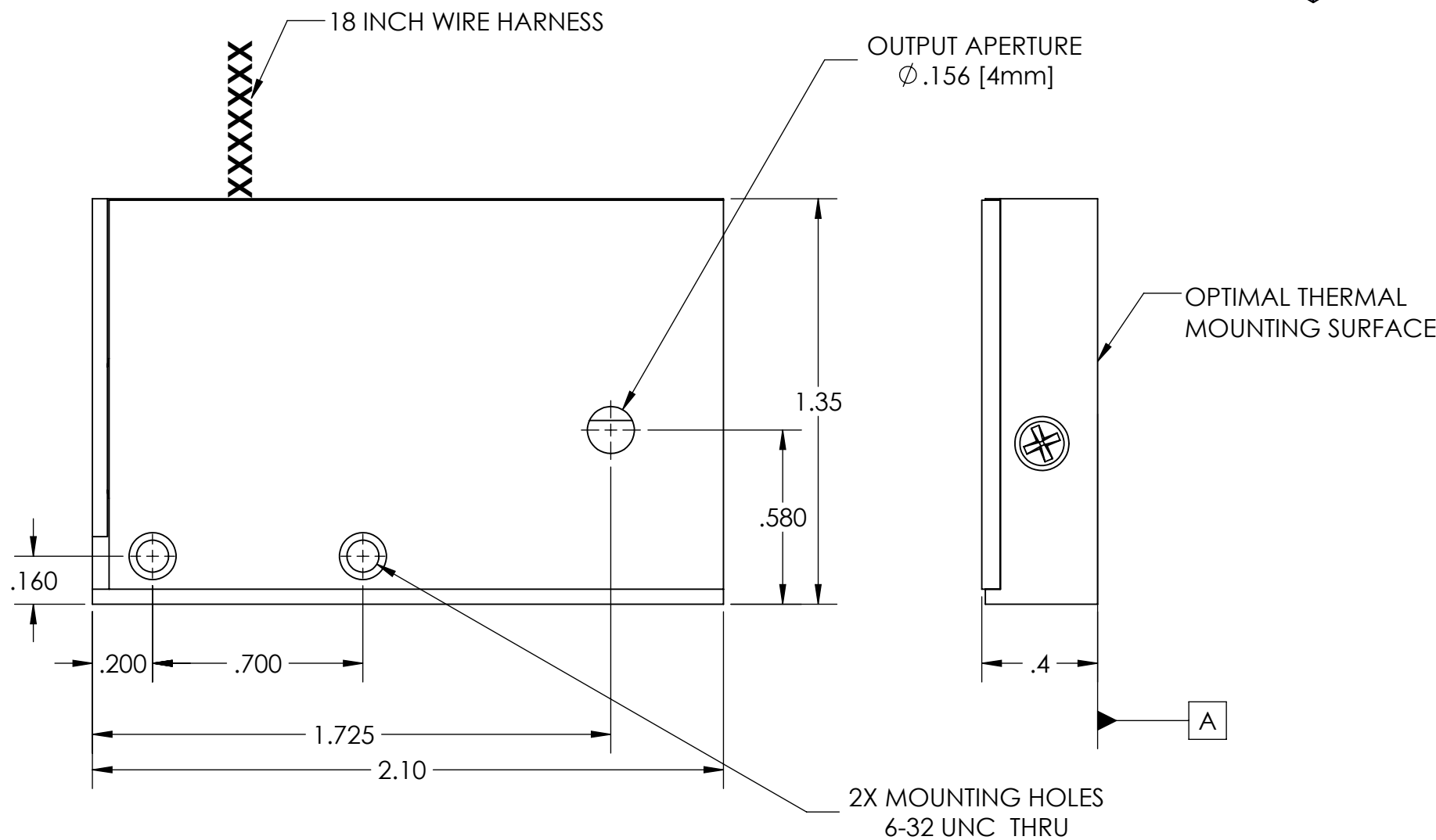
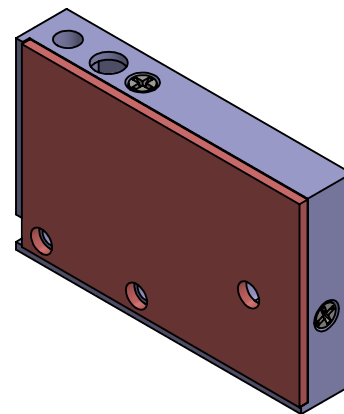
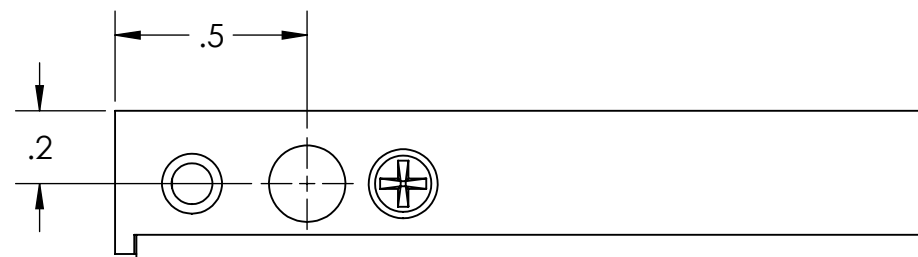
2

1

**NOTES** (UNLESS OTHERWISE SPECIFIED):

- 1. ALL COMPONENTS AND MATERIALS OF THIS ASSEMBLY OR PART MUST BE CERTIFIABLY ROHS COMPLIANT.
- 2. 3D DATA BASE SHALL BE USED IN CORRELATION WITH THIS DRAWING FOR FEATURES NOT DIMENSIONED ON FACE OF THIS DRAWING.
  - 1. 3D MODEL (STEP) FILE AVAILABLE UPON REQUEST
- 3. ASSEMBLE PER NM LASER PROCEDURE SPECIFICATIONS

REVISIONS				
ECO#	REV.	DESCRIPTION	DATE	APPROVED
	A	INITIAL RELEASE	10/6/2020	B.L.



**NM LASER LST200-F40 SPECIFICATIONS**

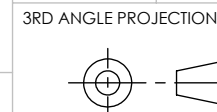
SHUTTER CLASS	OPTICAL / PROCESS
APERTURE DIAMETER	4.0 mm
TYPICAL BEAM DIAMETER	2.0 mm
MAX. CW OPTICAL POWER	6.0 W
THERMAL POWER DISSIPATION	4.5 W HOLD OPEN, 6.0 W @ 25 Hz
ENERGIZE	APPLY 24 VDC for 3.6 ms
HOLD OPEN	APPLY 9.5 - 10 VDC CONTINUOUS
MINIMUM HOLD VOLTAGE	9.5 VDC
MAX. SHUTTER REP RATE	25 Hz
TYPICAL SWITCHING SPEED	8.0 ms + 3-4 ms COMMAND DELAY
NOMINAL COIL IMPEDANCE	22 Ohms
POSITION SENSORS	2 PHOTO-TRANSISTOR, 5V TTL LOGIC
STANDARD WIRE HARNESS	9 LEAD, 26 AWG TEFLON, 18 IN
STANDARD CONNECTOR	9-PIN MOLEX 0050579409

	NAME	DATE
DRAWN	B.L.	6/4/20
CHECKED	M.K.	6/6/20
ENG APPR.		
MFG APPR.		
Q.A.		



TITLE:  
SHUTTER, LST200, LST200-F40

DIMENSIONS ARE IN INCHES  
TOLERANCES:  
ANGULAR: ±1°  
ONE DECIMAL: X.X ±.1  
TWO DECIMAL: X.XX ±.015  
THREE DECIMAL: X.XXX ±.005



SIZE	DWG. NO.	REV
<b>B</b>	<b>LST200-F40</b>	<b>A</b>

DO NOT SCALE DRAWING

SCALE: 2:1

SHEET 1 OF 1

PROPRIETARY AND CONFIDENTIAL  
THE DESIGN INFORMATION CONTAINED HEREIN IS THE SOLE PROPERTY OF NM LASER PRODUCTS, INC. THE DISCLOSURE OF THIS INFORMATION DOES NOT CONSTITUTE THE RELEASE OF THE PROPRIETARY RIGHTS THEREOF, BUT IS TO BE USED FOR INFORMATION PURPOSES ONLY WHEN NECESSARY. PERMISSION TO REPRODUCE THIS INFORMATION OF THE PRODUCT DESCRIBED HEREIN MUST BE OBTAINED IN WRITING FROM NM LASER PRODUCTS, INC.

8

7

6

5

4

3

2

1