

8

7

6

5

4

3

2

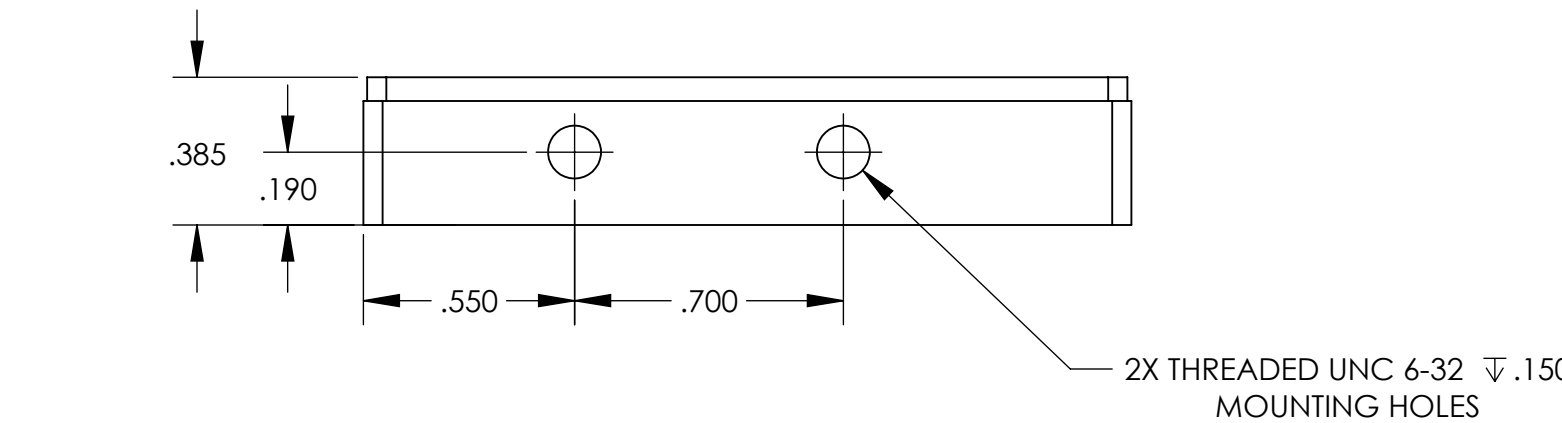
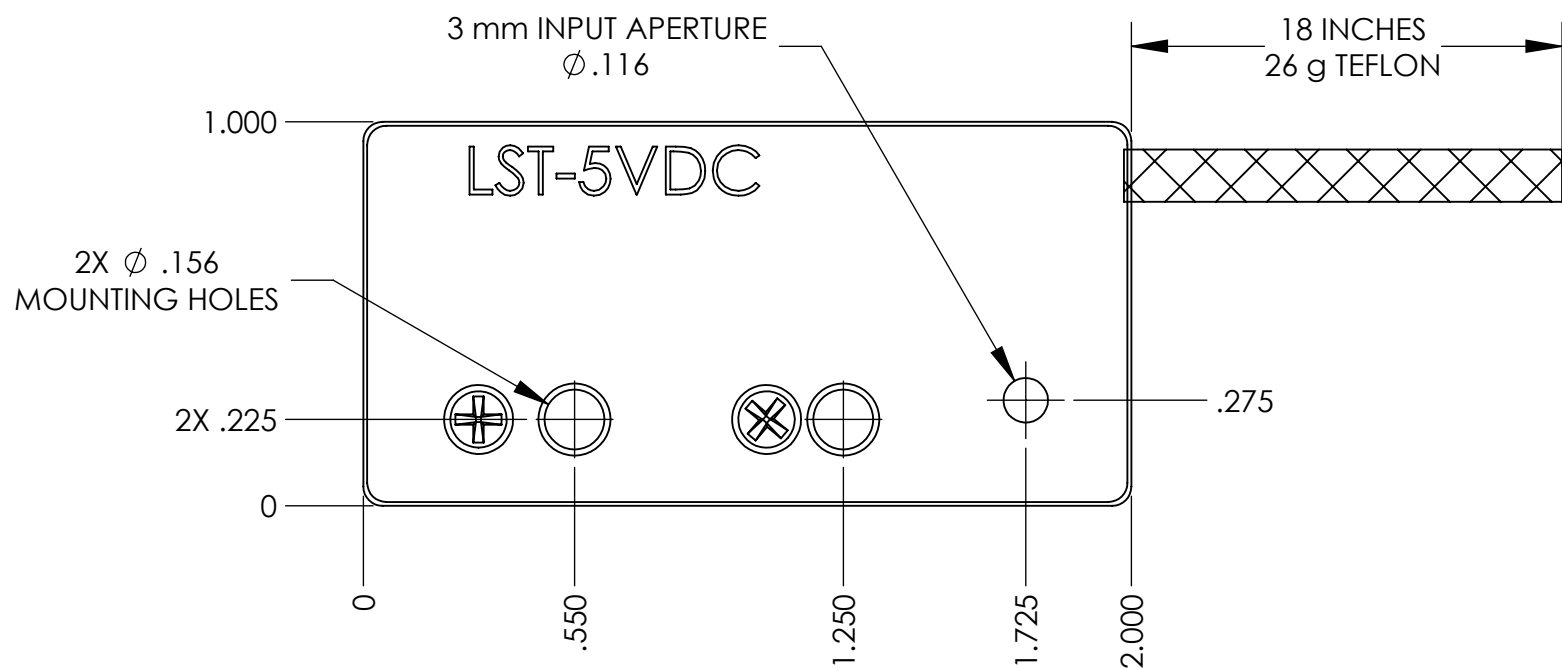
1

NOTES (UNLESS OTHERWISE SPECIFIED):


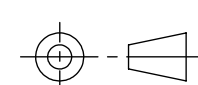
1. ALL COMPONENTS AND MATERIALS OF THIS ASSEMBLY OR PART MUST BE CERTIFIABLY ROHS COMPLIANT.
2. 3D DATA BASE SHALL BE USED IN CORRELATION WITH THIS DRAWING FOR FEATURES NOT DIMENSIONED ON FACE OF THIS DRAWING.
3. ASEMBLE PER NMLASER MANUFACTURER INSTRUCTIONS ASSEMBLY PROCEDURES MANUAL.
4. **APPROVED FOR DIRECT DRIVE 5VDC AT 500mA RATING.**
ALSO AVAILABLE FOR 3.25 VDC. CONTACT US FOR SPECS. **

REVISIONS				
ECO#	REV.	DESCRIPTION	DATE	APPROVED
	A	INITIAL RELEASE	3/29/21	M.K.

SWITCHING TIME SPECIFICATIONS		
SPECIFICATION	1 mm BEAM	3mm FULL APERTURE
Open Delay Time	3.5 ms	3.0 ms
Open Rise Time	1.0 ms	2.0 ms
Open Total Time	4.5 ms	5.0 ms
Close Delay Time	2.3 ms	1.5ms
Close Fall Time	0.7 ms	2.0 ms
Close Total Time	3.0 ms	3.5 ms
fly-back diode(s) in circuit		



LST-5VDC SPECIFICATION	
ELECTRICAL DRIVE	DIRECT DRIVE 5V AT 0.5 A
APERTURE DIAMETER	3.0 mm
TYPICAL BEAM DIAMETER	1.0 mm
MAX. OPTICAL POWER HANDLING	2 Watts (30mJ/cm2 LIDT)
MAXIMUM REPETITION RATE	50 Hz (Continuous)
THERMAL POWER DISSIPATION HOLDING OPEN	2.5 WATTS
THERMAL POWER DISSIPATION AT 50Hz	1.2 WATTS
NOMINAL MAGNETIC IMPEDANCE	10 Ohms
CABLE/LENGTH	26g TEFLON, 18 INCHES
OVERALL SIZE	2" X 1" X .4"

UNLESS OTHERWISE SPECIFIED:		NAME	DATE	 nmLaser Products <i>The Source for Laser Shutters</i>	
DIMENSIONS ARE IN INCHES		DRAWN	M.K.		3/5/2021
TOLERANCES:		CHECKED			
ANGULAR: ±1°		ENG APPR.			
ONE DECIMAL: X.X ±.1		MFG APPR.			
TWO DECIMAL: X.XX ±.015		Q.A.			
THREE DECIMAL: X.XXX ±.005		3RD ANGLE PROJECTION		TITLE: SHUTTER, DIRECT DRIVE, LST5VDC	
OVERALL FINISH:					
63Ra					
MATERIAL:		SIZE	DWG. NO.	REV	
SEE BOM		B	LST-5VDC	A	
DO NOT SCALE DRAWING		SCALE: 2:1		SHEET 1 OF 1	

PROPRIETARY AND CONFIDENTIAL
 THE DESIGN INFORMATION CONTAINED HEREIN IS THE SOLE PROPERTY OF NM LASER PRODUCTS, INC. THE DISCLOSURE OF THIS INFORMATION DOES NOT CONSTITUTE THE RELEASE OF THE PROPRIETARY RIGHTS THEREOF, BUT IS TO BE USED FOR INFORMATION PURPOSES ONLY WHEN NECESSARY. PERMISSION TO REPRODUCE THIS INFORMATION OF THE PRODUCT DESCRIBED HERE IN MUST BE OBTAINED IN WRITING FROM NM LASER PRODUCTS, INC.

8

7

6

5

4

3

2

1