

8

7

6

5

4

3

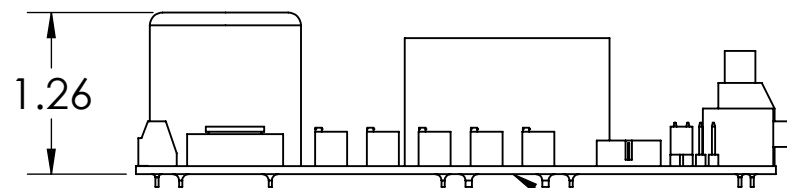
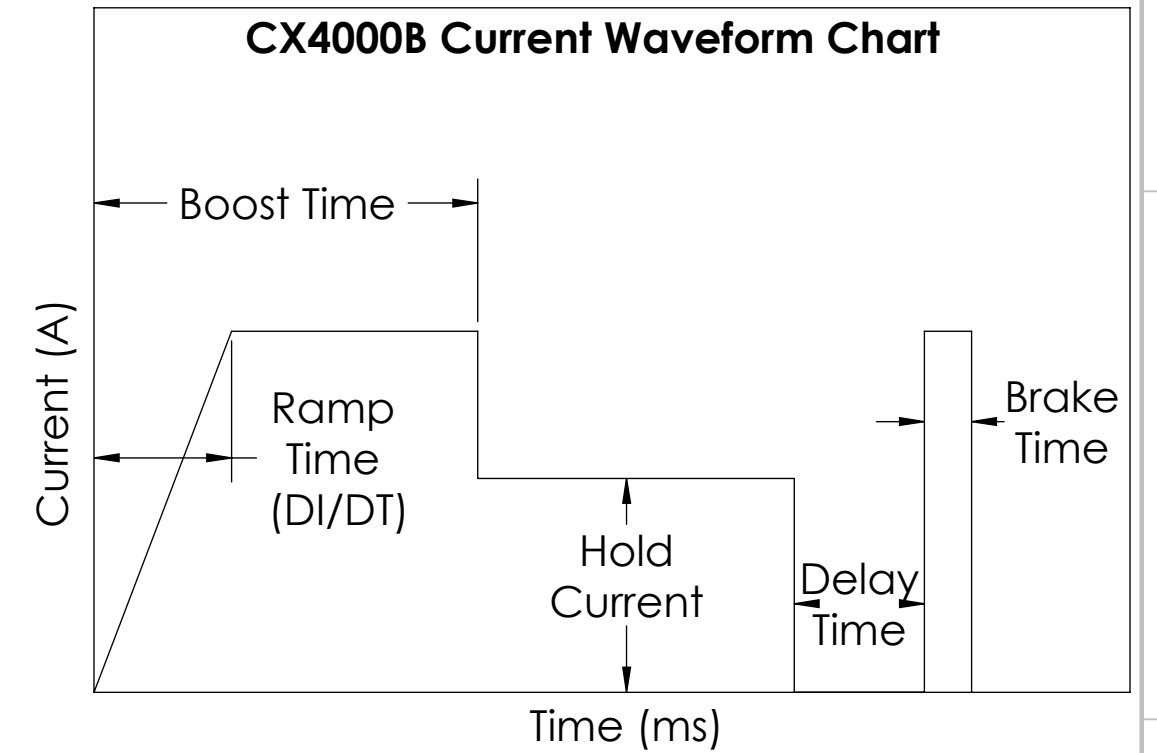
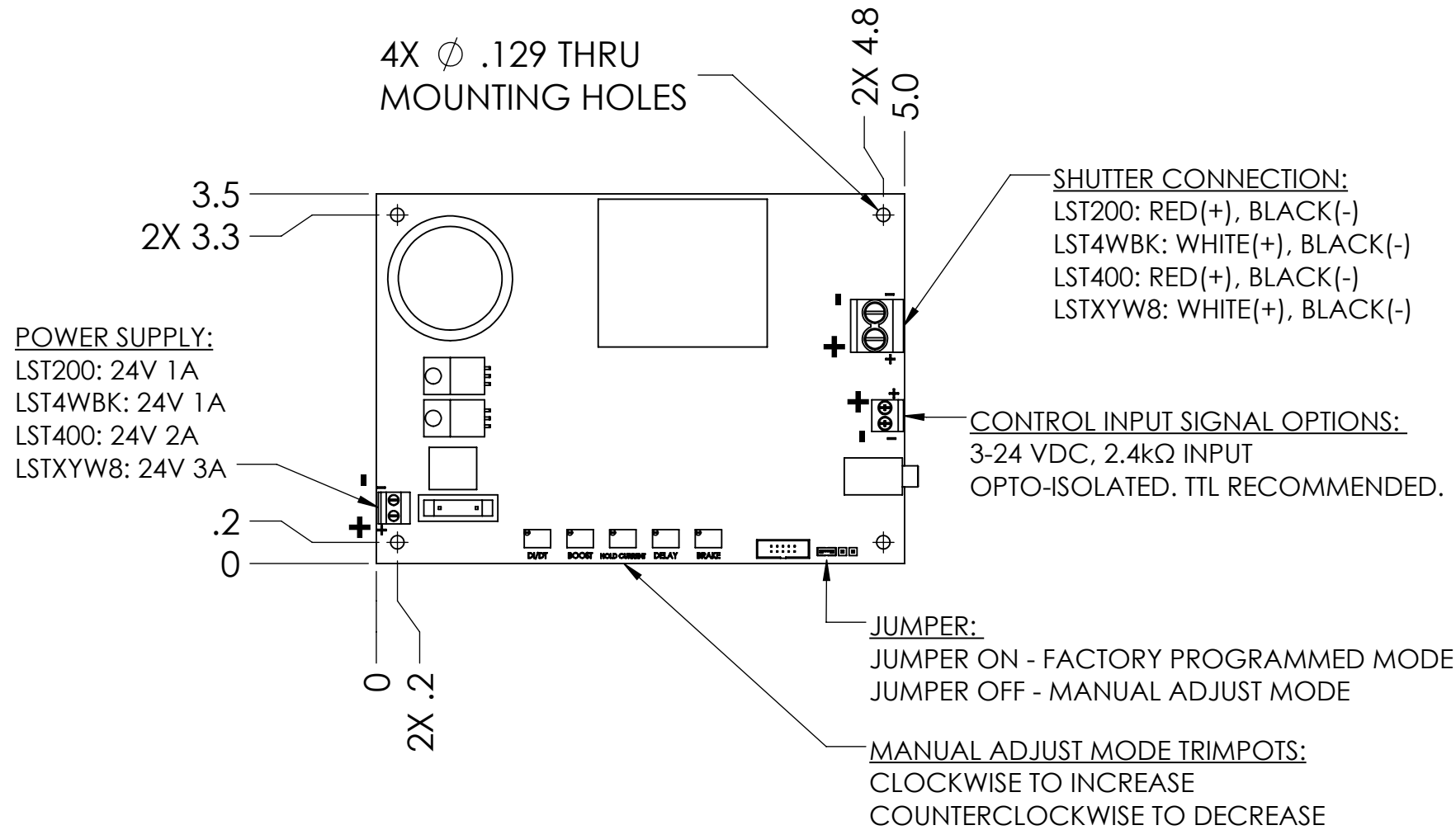
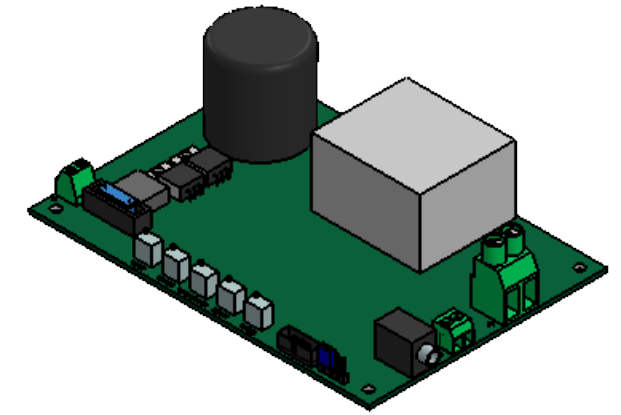
2

1

NOTES (UNLESS OTHERWISE SPECIFIED):

1. ALL COMPONENTS OF THIS ASSEMBLY ARE RoHS 3 COMPLIANT.
2. PROTECT CONTROLLER FROM HANDLING DAMAGES AND STORE IN ANTISTATIC BAG.
3. DO NOT PLACE ON ELECTRICALLY CONDUCTIVE MATERIALS DURING USAGE - STANDOFF REQUIRED.
4. CAREFULLY CONNECT SHUTTER, CONTROL INPUT SIGNAL, AND POWER SUPPLY (POLARITY CRITICAL).
5. VERIFY POLARITY OF WIRE CONNECTION AND PERFORM PULL-TEST ON WIRE SCREW TERMINATION.
6. TURN ON POWER SUPPLY. MINIMUM CURRENT DRAW TO CONTROLLER IF SHUTTER NOT OPERATING (~30mA).
7. TO OPEN SHUTTER, HIGH LEVEL ON CONTROL INPUT SIGNAL. TO CLOSE SHUTTER, CONTROL INPUT SIGNAL LOW(~ZERO).

REVISIONS			
REV.	DESCRIPTION	DATE	APPROVED
A	INITIAL RELEASE	6/23/2020	M.K.
B	UPDATE DRAWING FOR EASE OF READABILITY	9/1/2022	M.K.



MINIMUM .250" SPACER/STANDOFFS FOR MOUNTING

UNLESS OTHERWISE SPECIFIED:		NAME	DATE	
DIMENSIONS ARE IN INCHES		B.L.	6/24/2020	
TOLERANCES:		DRAWN		TITLE: CONTROLLER, SHUTTER DRIVER, CX4000
ANGULAR: $\pm 1^\circ$		CHECKED		
ONE DECIMAL: X.X $\pm .1$		ENG APPR.		
TWO DECIMAL: X.XX $\pm .015$		MFG APPR.		
THREE DECIMAL: X.XXX $\pm .005$		Q.A.		SIZE DWG. NO. B CX4000B
OVERALL FINISH:		3RD ANGLE PROJECTION		
N/A				REV B
MATERIAL:		DO NOT SCALE DRAWING		
		SCALE: 2:3		SHEET 1 OF 1

PROPRIETARY AND CONFIDENTIAL THE DESIGN INFORMATION CONTAINED HEREIN IS THE SOLE PROPERTY OF NM LASER PRODUCTS, INC. THE DISCLOSURE OF THIS INFORMATION DOES NOT CONSTITUTE THE RELEASE OF THE PROPRIETARY RIGHTS THEREOF, BUT IS TO BE USED FOR INFORMATION PURPOSES ONLY WHEN NECESSARY. PERMISSION TO REPRODUCE THIS INFORMATION OF THE PRODUCT DESCRIBED HEREIN MUST BE OBTAINED IN WRITING FROM NM LASER PRODUCTS, INC.

8

7

6

5

4

3

2

1