

8

7

6

5

4

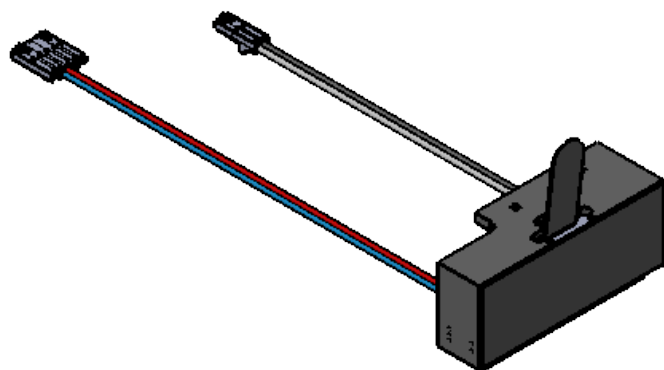
3

2

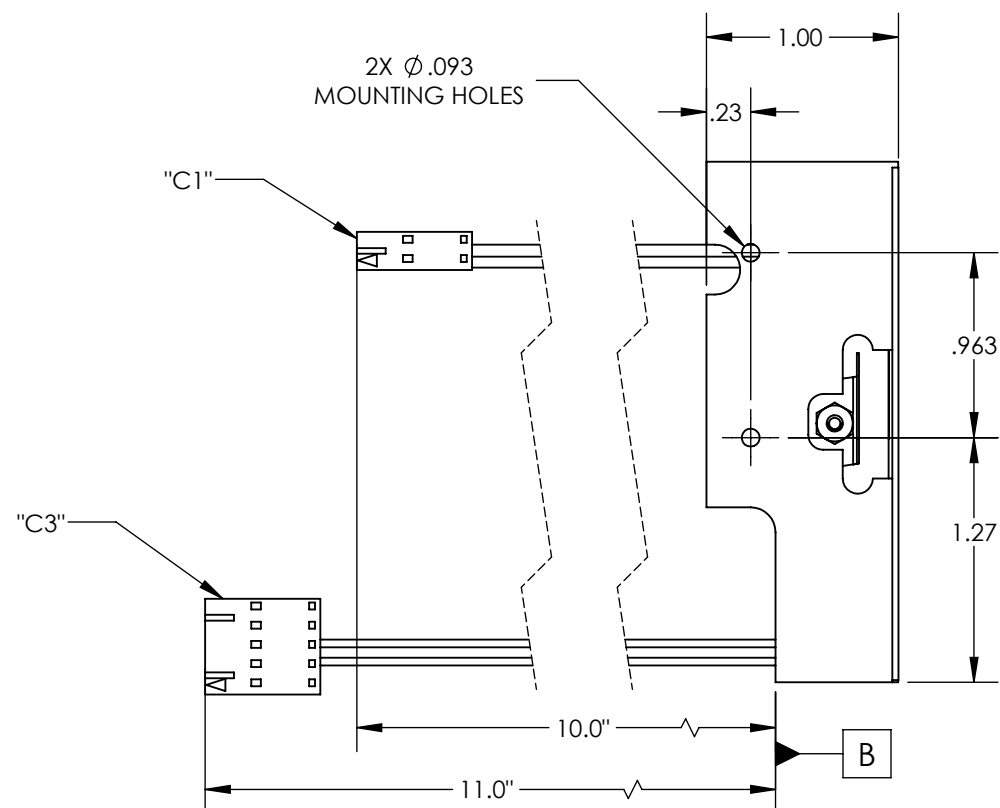
1

NOTES (UNLESS OTHERWISE SPECIFIED):

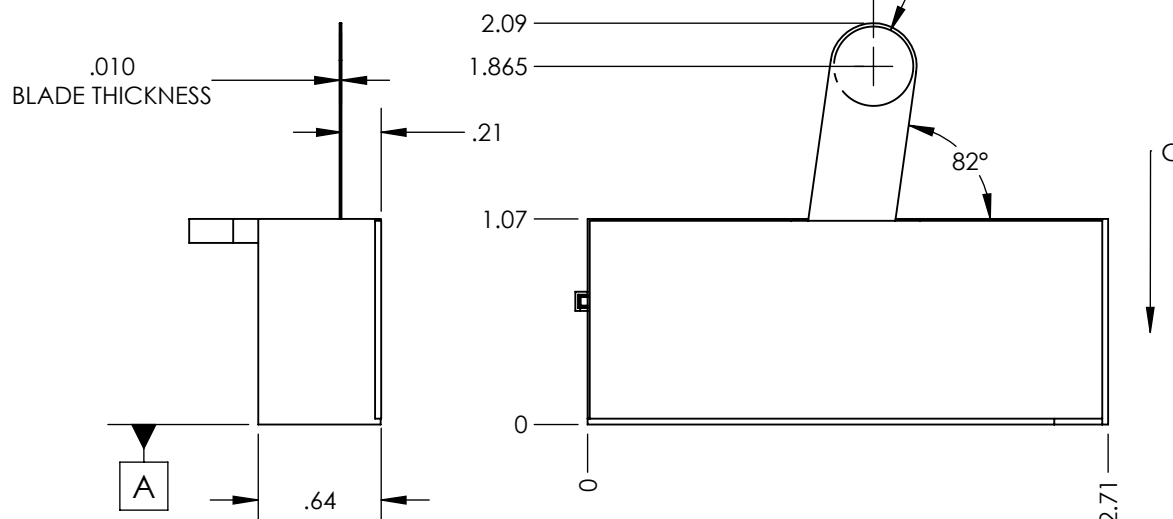
1. ALL COMPONENTS AND MATERIALS OF THIS ASSEMBLY OR PART MUST BE CERTIFIABLY ROHS COMPLIANT.
2. 3D DATA BASE SHALL BE USED IN CORRELATION WITH THIS DRAWING FOR FEATURES NOT DIMENSIONED ON FACE OF THIS DRAWING.
3. 3D MODEL (STEP) FILE AVAILABLE UPON REQUEST
4. SPECIFICATIONS APPROVED PER CX4000B CONTROLLER OR NMLASER ELECTRICAL SPECIFICATIONS.



REVISIONS			
REV.	DESCRIPTION	DATE	APPROVED
A	INITIAL RELEASE	06/08/23	M.K.



Ø.41" OR 10.5MM
MAX APERTURE



LST300 SPECIFICATIONS

OPTICAL SPECS.	
Aperture Size	10.5mm
Typical Beam Diameter	6 mm
Maximum Power Handling	10 W
Metal Optics	OXIDE/NITRIDE OF MOLYBDENUM, GOLD OPTICS, ALUMINUM OPTICS
Damage Threshold	500 mJ/cm ² @ 10 ns,

ELECTRICAL SPECS.	
Power Supply	24 VDC, 1 AMP RATING
Electrical Drive Circuit	Boost Open- 24V @ +100 ms Hold Open - +6 V
Winding Resistance	24 Ohms
Position Sensors	Logic TTL, Require 5VDC @ 30mA

PERFORMANCE SPECS.	
Open Delay Time	10 ms
Open Rise Time	20 ms
Open Total Time	30 ms
Close Delay Time	10 ms
Close Fall Time	30 ms
Close Total Time	40 ms
Min. FWHM Exposure	100 ms
Max. Repetition Rate	5 Hz

THERMAL SPECS.	
Power Dissipation Holding Open	2 W
Power Dissipation Cycling	10 W @ 5 Hz
Mounting Surface	Datum A, Datum B

"C1" - MOLEX 2-POS CONNECTOR, 50-57-9402

PIN 1	WHITE	POWER WINDING (+)
PIN 2	BLAKE	POWER WINDING (-)

"C3" - MOLEX 4-POS CONNECTOR, 50-57-9405

PIN 1	RED	+5 VDC, SENSOR
PIN 2	ORANGE	LOGIC OUTPUT, LO WHEN CLOSED
PIN 3	YELLOW	LOGIC OUTPUT, HI WHEN CLOSED
PIN 4	BLUE	SENSOR GROUND

DIMENSIONS ARE IN INCHES TOLERANCES: ANGULAR: ±1° ONE DECIMAL: X.X ±.1 TWO DECIMAL: X.XX ±.015 THREE DECIMAL: X.XXX ±.005	NAME	DATE		
	DRAWN	M.K.		06/08/23
	CHECKED			
	ENG APPR.			
TITLE:			TONGUE SHUTTER	
MFG APPR.				
3RD ANGLE PROJECTION			SIZE DWG. NO. REV B LST300 A	
DO NOT SCALE DRAWING			SCALE: 1:1 SHEET 2 OF 2	

PROPRIETARY AND CONFIDENTIAL THE DESIGN INFORMATION CONTAINED HEREIN IS THE SOLE PROPERTY OF NM LASER PRODUCTS, INC. THE DISCLOSURE OF THIS INFORMATION DOES NOT CONSTITUTE THE RELEASE OF THE PROPRIETARY RIGHTS THEREOF, BUT IS TO BE USED FOR INFORMATION PURPOSES ONLY WHEN NECESSARY. PERMISSION TO REPRODUCE THIS INFORMATION OF THE PRODUCT DESCRIBED HERE IN MUST BE OBTAINED IN WRITING FROM NM LASER PRODUCTS, INC.

8

7

6

5

4

3

2

1